

Mathematical Modeling and Threshold Analysis of Acceptable Failure Rate and Academic Standard

Modelado matemático y análisis de umbral de tasa de reprobación aceptable y estándar académico

Modelagem matemática e análise de limite de taxa de reprovação aceitável e padrão acadêmico

Abayomi Ayotunde Ayoade^{1*}, Mojisola Manuel², Motunrayo Ajoke Adeosun³

Received: Aug/15/2023 • Accepted: Mar/15/2024 • Published: Jul/31/2024

Abstract

A certificate is evidence of participating in a process, and anyone who holds a certificate is believed to have the prerequisites necessary to handle what the certificate qualifies them for. However, this perception might be incorrect if the certificate has been obtained by taking shortcuts. **[Objective]** In this paper, a compartmental model was developed to quantify factors that could put the authenticity of a certificate in doubt by examining the trade-off between academic standards and failure rates in the context of tertiary education institutions in Nigeria. **[Methodology]** The model was validated using several mathematical theorems. Equilibria for the model and the threshold for acceptable academic performance were derived. Stability analysis was carried out by using the stability theory of differential equations based on the derived acceptable academic performance threshold. **[Results]** The theoretical results for the model were validated through numerical simulations, and the results from the simulations linked acceptable failure rates to academic performance falling below the threshold of the institutions' standards. **[Conclusions]** The policy implication of the result is that an increase in the supply of qualified graduates into Nigeria's labor markets, as well as a reduction in the rate of unemployment, is a function of maintaining academic standards.

Keywords: certificate; compartmental model; academic standard; failure rates; tertiary education institutions.

Resumen

El certificado es una evidencia de participación en un proceso y se cree que cualquier persona que posea uno tiene un requisito previo para manejar todo aquello para lo que este califica. Sin embargo, la impresión podría fallar, si el certificado se hubiera obtenido tomando atajos. **[Objetivo]** En este

* Corresponding author

Abayomi Ayotunde Ayoade, ✉ ayoadeabbayomi@gmail.com,  <https://orcid.org/0000-0003-3470-0147>

Mojisola Manuel, ✉ drmojimanuel@gmail.com,  <https://orcid.org/0000-0003-3062-7464>

Motunrayo Ajoke Adeosun, ✉ mogunfowora@unilag.edu.ng,  <https://orcid.org/0000-0001-7037-0363>

1 Department of Mathematics, Faculty of Science, University of Lagos, Lagos, Nigeria.

2 Department of Arts and Social Sciences Education, University of Lagos, Lagos, Nigeria.

3 Department of Adult Education, University of Lagos, Lagos, Nigeria.



documento se desarrolló un modelo compartimental para cuantificar los factores que podrían poner en duda la autenticidad de un certificado, mediante el examen de la compensación entre el estándar académico y las tasas de reprobación, en el contexto de las instituciones de educación terciaria en Nigeria.

[Metodología] El modelo se demostró válido utilizando algunos amplios teoremas matemáticos. Se derivaron los equilibrios para dicho método y el umbral para un rendimiento académico aceptable. El análisis de estabilidad se llevó a cabo empleando la teoría de la estabilidad de ecuaciones diferenciales, basada en el umbral de rendimiento académico aceptable obtenido. **[Resultados]** Los resultados teóricos del modelo fueron validados por medio de simulaciones numéricas y los de las simulaciones vincularon la tasa de reprobación aceptable con el rendimiento académico que cayó por debajo del umbral del estándar establecido por las instituciones. **[Conclusiones]** La implicación política del resultado es que el aumento en la oferta de graduados calificados en los mercados laborales de Nigeria, así como la reducción en la tasa de desempleo, son una función del mantenimiento de los estándares académicos.

Palabras clave: certificado; modelo compartimentado; estándar académico; tasas de reprobación; instituciones de educación terciaria.

Resumo

O certificado é uma prova de participação em um processo e acredita-se que quem o possui tem como pré-requisito realizar tudo para o qual o referido certificado o qualifica. No entanto, a impressão poderia falhar se o certificado tivesse sido obtido através de atalhos. **[Objetivo]** Neste artigo, foi desenvolvido um modelo compartimental para quantificar fatores que poderiam pôr em dúvida a autenticidade de um certificado, examinando o compromisso entre o padrão acadêmico e as taxas de reprovação no contexto de instituições terciárias referenciadas na Nigéria. **[Metodologia]** O modelo foi provado válido usando alguns teoremas matemáticos amplos. Os equilíbrios para o modelo e o limite para desempenho acadêmico aceitável foram derivados. A análise de estabilidade foi realizada utilizando a teoria da estabilidade de equações diferenciais com base no limite de desempenho acadêmico aceitável derivado. **[Resultados]** Os resultados teóricos do modelo foram validados por meio de simulações numéricas e os resultados das simulações relacionaram a taxa de reprovação aceitável com o desempenho acadêmico que ficou abaixo do limite do padrão estabelecido pelas instituições. **[Conclusões]** A implicação política do resultado é que o aumento da oferta de licenciados qualificados nos mercados de trabalho nigerianos, bem como a redução da taxa de desemprego, é uma função da manutenção dos padrões acadêmicos.

Palavra-chave: certificado; modelo compartimental; padrão acadêmico; taxas de reprovação; instituições terciárias.

Introduction

The objective of education in Nigeria is the preparation and training of young individuals for future challenges and workforce requirements of the nation (Ayoade & Farayola, 2020a). In acknowledging the essence of education in individuals'

development in particular and the society in general, the government of Nigeria outlined how education can facilitate the required transformation in the country in the National Policy on Education in 1977, 1981, 1998 (revised in 2004) (Federal Republic of Nigeria, 2004). Based on the document, tertiary institutions are saddled with the



responsibility of turning out graduates who would be able to solve problems of the society and foster all-round development.

A tertiary institution means any institution that provides post-school education on a full-time, part-time, or distance basis (Razu et al., 2018). It refers to a university or other tertiary education providers recognized by employers that offer degrees, diplomas, or teacher education courses (Yusuf et al., 2020). Tertiary education is a third-level education that is pursued after secondary education, and individuals seeking admission into tertiary institutions must pass certain examinations to be qualified (Thompson et al., 2020).

Unfortunately, admission processes into tertiary institutions are threatened by examination malpractice which has been a major problem confronting the educational system in Nigeria. It has been widely discussed and is being considered a main challenge not only to the examination bodies but also to the entire educational system, the school administrators, the government, and the society at large (Akunne, 2021; Adegbite, 2019; Okey & Ewa, 2019).

Generally, many candidates who secure admission into tertiary institutions in Nigeria today indulge in examination malpractice (Osadebe & Bini, 2018; Kawugana & Wayopwa, 2017). These sets of individuals may not have the background knowledge to cope with academic demands in higher institutions. Although, some of them may be influenced by the seriousness of few students who got admissions into the institutions on merit as well as the available education facilities in the school to turn over a new leaf. Also, it is possible for some of the students who are admitted on merits to succumb to bad influence, become unserious and join the group of students who intend to succeed by cutting corners.

The essence of a grade in academic reports is to convey the academic performance of the students (Ayoade & Agboola, 2022a). Besides, success or the extent to which a student meets the standards set by the government and the institution are measured by academic performance. Furthermore, academic performance determines the extent to which the teachers and school leaders are successful in terms of pedagogical and management practices (Razu et al., 2018). Based on the cardinal impact of the academic performance of students on teachers' and school administrators' achievements, they are constrained to uphold standards and do face the temptation of lowering academic standards to protect their integrity and to remain relevant in the system.

Teachers and school administrators may be tempted to adjust scores to make the failure rate negligible. However, tertiary institutions may fail in their mandate of producing graduates who can rule their world and solve the problems of society if academic standards are compromised. The case of Nigeria is worrisome considering the high level of unemployment in the country, which has been blamed on the compromise of academic standards (Adelowokan et al., 2019; Aminu, 2019; Ayoade et al., 2020b). The rates of unemployment for Nigeria in 2018 and 2022 were 22.6 % and 40 % respectively (Ayoade et al., 2020c; Utomi, 2022).

Given the context above, it is imperative to examine the middle ground between the failure rates and academic standards at the tertiary level of education in Nigeria, which the present study attempts to address via a modeling approach. As far as we know, both the subject and the approach employed to conduct the analysis are completely new in the literature. Till now, no work has explored mathematical modeling of a compartmental



kind to analyze the trade-off between failure rates and academic standards.

Materials and Methods

Examination malpractice is a major challenge to the education system in Nigeria. Apparently, a good number of students who are admitted into Nigeria's tertiary institutions are products of examination malpractice (Ayoade & Farayola, 2020a; Ayoade & Agboola, 2022a). Based on this, a compartmental model *CMSE* is designed to analyze the trade-off between failure rates and academic standards in the context of tertiary institutions in Nigeria. The model is split into $C(t)$, $M(t)$, $S(t)$, and $E(t)$, respectively, where $C(t)$ is the class for students who got admission into the institution through cheating, $M(t)$ is the class for those who got admission through merits, $S(t)$ is the class for those students who have what it takes to withstand the institution set standard, while $E(t)$ denotes the class of individuals who graduated from the institutions on merit. The movement across compartments of the model is illustrated in Figure 1.

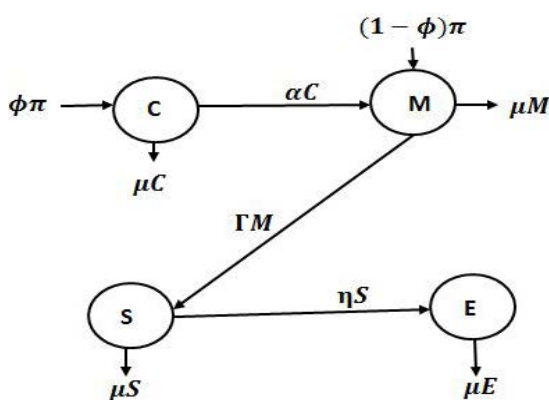


Figure 1. Transfer diagram of the model
 Note: derived from research.

In Figure 1, students are admitted into the institutions at rates $\phi\pi$ and $(1 - \phi)\pi$. While $\phi\pi$ is the rate of admitting students who indulge in cheating, $(1 - \phi)\pi$ is the rate of admitting students who stand on merit. Students who got admission through cheating but who become serious about getting to the institution and do everything academically possible to meet the academic challenges move to compartment $M(t)$ at a rate α . η is the rate at which students graduate from the institutions on merits. Γ is the tendency of meeting up with the institutions' set standards and is quantified as $\in \vartheta$ where \in is the rate at which students who are serious cope with the institutions' set standards and ϑ denotes the level of their seriousness. If the per capita probability of success for unserious students in the examination is τ , then the effective rate of maintaining academic standard $\Gamma^\vartheta = \in \vartheta (1 - \tau) S$. Students in $M(t)$, either those who are recruited to it directly from the society or those who move to it from $C(t)$, may relax. Parameter τ is checking the level of academic standards and the quality of graduates that are being produced. An increase in τ will mean a fall in academic standards and vice-versa.

The study is based on the assumptions that students who got admission through cheating $C(t)$ and those who are admitted by merit $M(t)$, as well as those who can cope with the academic standards of the institution $S(t)$ leave their respective compartments when they drop out at the same rate μ . Individuals who get admission through cheating may drop out if they cannot cope or for other reasons. Those who are admitted on merits, and every other individual who has what it takes to withstand the institutions' academic standards, may also drop out if they secure scholarships or through other reasons. Also, it is assumed that the rate of dropout is the



same as the rate at which qualified graduates leave their compartment $E(t)$ when they secure employment.

Based on the aforesaid assumptions, formulations, and the transfer diagram, the following first-order ODEs are derived:

$$\frac{dC}{dt} = \phi\pi - \alpha C - \mu C, \quad (1)$$

$$\frac{dM}{dt} = (1 - \phi)\pi + \alpha C - \epsilon\vartheta(1 - \tau)MS - \mu M, \quad (2)$$

$$\frac{dS}{dt} = \epsilon\vartheta(1 - \tau)MS - \eta S - \mu S, \quad (3)$$

$$\frac{dE}{dt} = \eta S - \mu E. \quad (4)$$

The model governs the connection between academic standards and failure rates in tertiary institutions in Nigeria. It can be employed to establish the trade-off between the two variables and to guide teachers and school administrators in determining an acceptable failure rate. The nomenclature for the parameters is stated in Table 1 for quick reference.

Table 1. Model's parameters and nomenclature

Parameters	Interpretations
π	Recruitment rate into the institutions
ϵ	Rate of coping with the institutions' set standard by the students
ϑ	Level of seriousness of the students
τ	Rate of examination success for unserious students
ϕ	Probability of being admitted into the institution through cheating
η	Rate of graduating qualified students
α	Rate at which students who got admission through cheating turn over a new leaf in the institution

Note: derived from research.

The model is suitable to conduct the study if its solutions exist and are unique, positive, and, at the same time, mathematically well-posed (i.e., bounded). Each of

these features shall be examined one after the other.

Basic Features

Existence and Uniqueness of Solutions

Theorem 1. *The solutions for the model exist and, at the same time, are unique if the partial derivative of each state variable with respect to time in each equation strictly less than infinity, i.e., $\left| \frac{\partial f_i}{\partial x_j} \right| < \infty$.*

Proof. The proof for Theorem 1 is contained in many modeling studies (Ayoade *et al.*, 2020b; Ayoade *et al.*, 2020c; Adenuga *et al.*, 2021). By inspection, the model satisfies the condition $\left| \frac{\partial f_i}{\partial x_j} \right| < \infty$; therefore, the model has solutions and the solutions are unique.

Positivity of Solutions

Theorem 2. *The solution for each state variable of the model remains positive for all $t \geq 0$.*

Proof. The model characterized a real-life phenomenon (i.e., education); hence it is reasonable to argue that each state variable admits only nonnegative initial conditions for all $t \geq 0$. It is, therefore, straightforward to use differential equation theory to show that each state variable also admits only positive solutions for all $t \geq 0$ as in (Ayoade *et al.*, 2020b; Adenuga *et al.*, 2021).

Boundedness of Solutions

Theorem 3. *The solutions for the model remain feasible and bounded within the close*

$$\Omega = \left\{ (C, M, S, E) \in \mathbb{R}_+^4 : 0 \leq C + M + S + E \leq \frac{\pi}{\mu} \right\}.$$



Proof. The model adds up to $\frac{dN}{dt} \leq \pi - \mu N$ from which $N(t) \leq N(0)e^{-\mu t} + \frac{\pi}{\mu}(1 - e^{-\mu t})$ can be derived following the standard comparison theorem (Lakshmikantham *et al.*, 1994). As $t \rightarrow \infty$, $N(t) \rightarrow \frac{\pi}{\mu}$ and all the solutions for the model enter the positive octant Ω which is not only positively invariant but positively attracting. Hence, the model is mathematically well posed and for the starting point $x \in \Omega$, the path of x is contained in Ω . Therefore, the analysis of the model is sufficient to be considered on Ω where the solutions for the model are bounded.

Model Analysis

Equilibrium

We shall analyze the model qualitatively and quantitatively to examine the trade-off between failure rate and academic standard in Nigeria's tertiary institutions. Two possibilities can be considered. It is possible that the mechanism that is put in place to prevent students who got admission through cheating from progressing achieve complete success. Under that condition, compartment $C(t)$ becomes zero with time, and nobody progresses from $C(t)$ to $M(t)$. On the other hand, there is a possibility for the mechanism to be ineffective so that all the compartments are non-empty. The former situation relates to disease-free equilibrium (DFE) while the latter relates to endemic equilibrium (EE) in epidemic modeling (Ayoade & Ibrahim, 2022b; Ayoade *et al.*, 2023a; Ayoade *et al.*, 2023b; Adeyemo & Ayoade, 2023).

However, since the model quantified the disease in the education system and not in human populations, the former situation

shall be denoted rising standard equilibrium (RSE) and the latter, falling standard equilibrium (FSE). Suppose the rising standard equilibrium (RSE) is represented by $P_o = (C_o, M_o, S_o, E_o)$ then P_o can be derived as in Adenuga *et al.* (2021) if compartment C and the right-hand side of the system are zero. The result for P_o , based on the condition, is given in equation (5) as

$$P_o = (C_o, M_o, S_o, E_o) = \left(0, \frac{a_1}{\epsilon\vartheta a_2}, \frac{\pi\epsilon\vartheta a_2 a_3 - \mu a_1}{\epsilon\vartheta a_1 a_2}, \frac{\eta[\pi\epsilon\vartheta a_2 a_3 - \mu a_1]}{\mu\epsilon\vartheta a_1 a_2}\right), \quad (5)$$

where $a_1 = (\mu + \eta)$, $a_2 = (1 - \tau)$, $a_3 = (1 - \phi)$.

If the falling standard equilibrium (FSE) is also denoted by $P_* = (C_*, M_*, S_*, E_*)$ then P_* can be derived as in Ayoade & Farayola (2022c) if the RHS of the model is reduced to zero and the reduced system is solved simultaneously on the condition that each variable is non-zero. The coordinates of P_* are given as follows:

$$C_* = \frac{\phi\pi}{(\mu + \alpha)}, \quad (6)$$

$$M_* = \frac{1}{\mu} \left\{ (1 - \phi)\pi + \frac{\alpha\phi\pi}{\mu + \alpha} - \frac{\mu}{\eta}(\mu + \eta)E_* \right\}, \quad (7)$$

$$S_* = \frac{1}{\epsilon\vartheta(1 - \tau)M_*} \left\{ (1 - \phi)\pi + \frac{\alpha\phi\pi}{(\mu + \alpha)} - \mu M_* \right\}, \quad (8)$$

$$E_* = \frac{\eta}{\mu} S_*. \quad (9)$$

Academic Standard and Failure Rate Trade-off Ratio R_s

The concept of reproduction number R_o in epidemic modeling, which has been extensively discussed in the literature, is employed to analyze the trade-off between academic standards and failure rates in this work (see, for example, Favor & Anya, 2020; Sulayman *et al.*, 2021; Khan *et al.*, 2020; and the literature therein). Teachers



and school administrators believe that their performance depends on the academic performance of their students. However, quality output in terms of rising academic standards must not be sacrificed for quantity output in terms of reduction in academic standards in the interest of the society. Hence, teachers and school administrators need to strike a balance between academic standards and failure rates to save their mandate and protect the interest of the society. The quantity R_s is, therefore, a threshold for acceptable academic performance. The two compartments $M(t)$ and $S(t)$ shall be adopted to derive parameter R_s as in disease modeling where compartments for infections are employed. Compartments $M(t)$ and $S(t)$ are considered in deriving R_s because the assessment of students that determine academic standards, and also academic standards that govern the quality of graduates that are being produced, depends on them (i.e., $M(t)$ and $S(t)$). Following the Next Generational Matrix Operator as in Adenuga *et al.* (2021), the parameter R_s is derived as

$$R_s = \frac{\pi\epsilon\vartheta(1-\tau)(1-\phi)-\mu(\mu+\eta)}{(\mu+\eta)^2}. \quad (10)$$

The step-by-step method used by Adenuga *et al.* (2021) to derive R_G is employed to derive R_s in the present study. Unlike in disease modeling but following the same approach as in Adenuga *et al.* (2021) and Ayoade & Farayola (2021), academic standards are maintained, and the institution is producing individuals that are worth their certificates if $R_s > 1$. On the other hand, individuals whose performance falls below R_s (i.e., $R_s < 1$) do not meet the standards of the institution and deserve to fail. The failure rate becomes acceptable when $R_s < 1$. Having derived the threshold for acceptable

academic performance, the stability of equilibria shall be examined.

Two equilibria—rising standard equilibrium (RSE) and falling standard equilibrium (FSE)— have been discussed so far, but the stability of only rising standard equilibrium shall be analyzed because only rising academic standard is of interest to the policymakers and the society. While RSE characterizes occasions when academic standards are being maintained, FSE considers situations when academic standards are relaxed. The popular linearization method shall be employed to investigate the local stability of the model around R_0 . Linearizing the model around R_0 as in Favor & Anya (2020), Adenuga *et al.* (2021), and Khan *et al.* (2020), we derive

$$J(P_0) = \begin{pmatrix} -(\mu + \alpha) & 0 & 0 & 0 \\ \alpha & -(\epsilon\vartheta(1 - \tau)S_0 + \mu) & 0 & 0 \\ 0 & \epsilon\vartheta(1 - \tau)S_0 & 0 & 0 \\ 0 & 0 & -\epsilon\vartheta(1 - \tau)M_0 & 0 \\ 0 & 0 & \epsilon\vartheta(1 - \tau)M_0 - (\mu + \eta) & 0 \\ 0 & 0 & \eta & -\mu \end{pmatrix}. \quad (11)$$

Theorem 4. *The rising standard equilibrium of the model is locally asymptotically stable if $R_s > 1$ but unstable if $R_s < 1$.*

Proof. The existence of local stability for the model around R_0 depends on the signs of the eigenvalues of equation (11) or the signs of the trace and determinant of the matrix $J(P_0)$. The rising standard equilibrium is stable locally if all the eigenvalues of $J(P_0)$ in equation (11) are negative or if the trace of the matrix $J(P_0)$ is less than zero when the determinant of $J(P_0)$ is greater than zero.

The matrix $J(P_0)$ comprises the eigenvalues $\lambda_1 = -(\mu + \alpha)$ and $\lambda_2 = -\mu$ as well as submatrix A given as



$$A = \begin{pmatrix} -(\epsilon\vartheta(1-\tau)S_o + \mu) & -\epsilon\vartheta(1-\tau)M_o \\ \epsilon\vartheta(1-\tau)S_o & \epsilon\vartheta(1-\tau)M_o - (\mu + \eta) \end{pmatrix}. \quad (12)$$

Substituting the values of M_o and S_o from equation (5) in equation (12) and simplifying, the trace of matrix A is given as

$$\begin{aligned} \mathcal{T}r(A) &= -\left[\frac{\pi\epsilon\vartheta(1-\tau)(1-\phi) - \mu(\mu+\eta) + \mu}{(\mu+\eta)} \right], \\ &= -\left[\frac{\mu}{(\mu+\eta)} + \frac{\pi\epsilon\vartheta(1-\tau)(1-\phi) - \mu(\mu+\eta)}{(\mu+\eta)} \right]. \quad (13) \end{aligned}$$

In view of equation (10),

$$\mathcal{T}r(A) = -\left[\frac{\mu}{(\mu+\eta)} + (\mu + \eta)R_s \right]. \quad (14)$$

Since R_s is a non-negative quantity, then $\mathcal{T}r(A) < 0$.

Also,

$$\mathcal{D}et(A) = \frac{\eta}{(\mu+\eta)^2} (\pi\epsilon\vartheta(1-\tau) (1-\phi) - \mu(\mu+\eta))^2. \quad (15)$$

$\mathcal{D}et(A)$ is already positive irrespective of the sign of $\pi\epsilon\vartheta(1-\tau)(1-\phi) - \mu(\mu+\eta)$. Hence, the rising standard equilibrium of the model is locally asymptotically stable since the conditions $\mathcal{T}r(A) < 0$ and $\mathcal{D}et(A) > 0$ are satisfied.

The implication of the rising standard equilibrium of the model being locally asymptotically stable is that academic standards are maintained, and a particular tertiary institution in Nigeria is fulfilling its mandate of producing graduates who can impact their environments.

Global Stability of Rising Standard Equilibrium P_o

The comparison theorem outlined in Adenuga *et al.* (2021) shall be employed to examine the global stability of the model around P_o .

Theorem 5. *The rising standard equilibrium of the model is globally asymptotically stable if all the eigenvalues of the generational matrix $(F - V)$ are negative.*

Proof. The condition $R_s > 1$ guarantees the negativity of all the eigenvalues of the generational matrix $(F - V)$.

The generational matrices F and V , following Adenuga *et al.* (2021), are defined as

$$F = \begin{pmatrix} \epsilon\vartheta(1-\tau)S_o & \epsilon\vartheta(1-\tau)M_o \\ 0 & 0 \end{pmatrix}, \quad (16)$$

$$V = \begin{pmatrix} (\mu + \eta) & 0 \\ 0 & \mu \end{pmatrix}. \quad (17)$$

Therefore, $|(F - V) - \lambda| = 0$ evaluated around R_s produces

$$(\mu + \lambda) \left\{ \frac{\pi\epsilon\vartheta(1-\tau)(1-\phi) - \mu(\mu+\eta)}{(\mu+\eta)} - (\mu + \eta) - \lambda \right\} = 0, \quad (18)$$

$$\Rightarrow (\mu + \lambda)[(\mu + \eta)(R_s - 1) - \lambda]. \quad (19)$$

Therefore,

$$\lambda_m = -\mu \text{ and } \lambda_n = -(\mu + \eta)(R_s - 1).$$

λ_m is already negative. λ_n is negative if and only if $R_s > 1$ and the rising standard equilibrium of the model is globally asymptotically stable; otherwise, it is unstable. The reason why λ_n is negative only if $R_s > 1$ and not if $R_s < 1$ has been expounded in recent articles (Adenuga *et al.*, 2021; Ayoade & Farayola, 2021; Ayoade & Agboola, 2022a; Ayoade & Farayola, 2022c).

This ends the proof.

The implication of the rising standard equilibrium of the model being globally asymptotically stable is that academic standards are not compromised in all tertiary institutions in Nigeria, and the institutions are fulfilling their mandates.



Results and Discussion

Mathematical modeling came in to solve the challenges of missing data during analysis; we have plenty of data sources, empirical data, estimated data, data from related literature, or experts' opinion data. In the present study, it is difficult to use a particular tertiary institution in Nigeria as a case study for fear of being held for incrimination. Therefore, the use of primary data is not feasible. Also, data from related literature or experts' opinion data are not obtainable because the study is entirely new. However, hypothetical data (as in Ayoade et al., 2019; Ayoade & Farayola, 2020a; Ayoade & Farayola, 2021;) shall be adopted to carry out numerical simulation for the study.

Assuming a memo was received by the Head of the Department of Mathematics of a university in Nigeria from the management of the institution, revealing the high failure rates of the students across courses with large classes in a particular academic session, where the Department of Mathematics recorded the highest number of courses with high failure rates as follows:

Suppose the management directed the HOD to inform the lecturers who had taught the above courses that there was mass failure and it was unacceptable. Suppose the management also argued further that the high

failure rate was a result of improper teaching and warned the lecturers who had taught the courses to improve their teachings in order to forestall future occurrences of such mass failure. In this memo, many questions are begging for answers: Is there mass failure in the first instance, or is the failure rate too high? If there is, are the lecturers the cause of it or the ones to be blamed, given the mode of entry of many students into the institution in terms of widespread examination malpractice in the country and the nonchalant attitude of many students to study? Our model can provide answers to these and many more questions. The threshold for acceptable academic performance (R_s) derived in equation (10) can inform the policymakers whether the failure rate in Table 2 is acceptable or unacceptable in the interest of the society. We shall evaluate R_s using hypothetical values for all the parameters except the rate of examination success for unserious students τ , which will take the values of each failure rate one by one in Table 2. Refer to Table 1 for the nomenclature of each parameter. The results of the evaluation are in Table 3.

If examination integrity is not relaxed in tertiary institutions, only those who have what it takes to do well would be seeking admission into the institution (π), academic standards would be high, and the rate of coping with the standards for unserious students

Table 2. *Students' performance analysis across courses with large classes in an academic session*

S/N	Course Codes	Failure Rates	Students Total
1	MTH 231	31 %	315
2	MTH 233	29 %	535
3	MTH 222	28 %	337
4	MTH 223	25 %	452
5	MTH 221	26 %	294
6	STA 222	30 %	300
7	STA 211	24 %	264

Note: derived from research.



Table 3. Stability of academic standards with failure rates as in the memo

Course codes	π	ϵ	ϑ	τ	ϕ	η	μ	R_s	Remark
MTH 231	0.55	0.75	0.8	0.31	0.01	0.3	0.1	1.1589	Stable
MTH 233	0.55	0.75	0.8	0.29	0.01	0.3	0.1	1.1997	Stable
MTH 222	0.55	0.75	0.8	0.28	0.01	0.3	0.1	1.2202	Stable
MTH 223	0.55	0.75	0.8	0.25	0.01	0.3	0.1	1.2814	Stable
MTH 221	0.55	0.75	0.8	0.26	0.01	0.3	0.1	1.2610	Stable

Note: derived from research.

would be high as well (ϵ). Rates of seriousness for the students would also be high (ϑ), and the chance of entry into the institution through examination malpractice would be low (ϕ). Lastly, the rate of producing qualified graduates would be high (η). In Table 3, the aforesaid conditions are met, and the failure rate (τ) takes the values of the memo in Table 2. It is observed that the academic standard and failure rate trade-off ratio (R_s) is greater than one at all points. The equilibrium of the model is stable locally and globally since $R_s > 1$. Therefore, the failure rates for all the courses can be described as acceptable. The failure rates were OK because those who failed did not meet the minimum standard (i.e., $R_s > 1$). Based on the analysis, teachers and school administrators should be bold enough to stand by the result in Table 2 in the interest of the society. The effect on the society is the increase in the number of qualified graduates that are being produced which can be visualized in Figure 2 (see blue curve).

Figure 2 is plotted by using parameters space in Table 3 with $C(t)$, $M(t)$, $S(t)$, and $E(t)$ depicted with red, green, yellow, and blue colors, respectively. Particularly, the parameters space for MTH 222, together with $C(t) = 2000$, $M(t) = 5000$, $S(t) = 3500$, $E(t) = 3000$ and $\alpha = 0.001$ are used to generate the plot. It is observed from Figure 2 that when the academic standard is not compromised, there is a significant increase in the number of qualified graduates $E(t)$ that are being produced by the institution in the first five years. This is

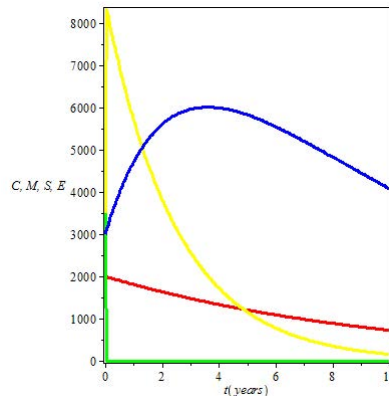


Figure 2. Dynamics of academic standard and failure rate when $R_s > 1$

Note: derived from research.

the region where the equilibrium of the model is stable (i.e., $R_s > 1$). The failure rate in the memo (see Table 2) is acceptable, given the rising trend in the population of qualified graduates in Figure 2. If the results in Table 2 were to be tampered so that the failure rate was reduced, the society would be the one to suffer the consequences of the incompetent students that were allowed to graduate. Besides, the failure rate in Table 2 cannot be blamed on lecturers alone, as conveyed in the memo. What about students' academic past performance? What about the work done at home? What about the students' personal behavior towards studies? All these are factors to be considered for students' poor performance. Tertiary institutions are designed for mature students. There are facilities and also handbooks that clearly outline the contents of the courses to be taught. Students can make



use of the handbook for preparation before the classes and even after the classes. So, serious students can still meet the standard and pass examinations with little assistance from the lecturers.

On the other hand, if the concern of the university management in the memo is taken care of, that is, if the scoring system is adjusted so that the failure rate in Table 2 is reduced, some parameters would be affected (e.g., π , ϵ , ϑ , ϕ , and η). Admission seekers would increase since it is easy to pass (π); the standard would be relaxed, making coping for unserious students easier as well (ϵ); the level of seriousness for students would fall (ϑ); and the likelihood of securing admission via cheating would also be high ϕ . Finally, the quality of graduates being produced would drop (η). Assuming the failure rates for the courses are reduced by three and a half (3.5) in Table 2 so that the values of the aforementioned parameters are also changed accordingly, then the effect on the academic standard and failure rate ratio (R_s) are shown in Table 4.

In Table 4, τ is determined by dividing the value of each τ in Table 3 by 3.5. Other parameters also varied from Table 3 accordingly. We are of the opinion that if the failure rate τ is reduced by 3.5, so that the failure rate for all the courses is less than 10%, as indicated by τ in Table 4; then the university management might be pleased

and satisfied with the results since the management did not specify an acceptable failure rate in the memo. However, the effect of the exercise is inimical to productivity, as shown in Table 4. The academic standard and failure rate trade-off ratio (R_s) is below unity at all points, meaning that the equilibrium of the model is unstable in all the regions. Therefore, the rate of failure, though low, is unacceptable in the interest of the society. The reason, based on Table 4, is that it is achieved when the level of seriousness for students (ϑ) and the coping rate for unserious students (ϵ) are below average. The direct effect on society is the reduction in the number of qualified graduates that are being produced (η), which can be visualized in Figure 3 (see blue curve).

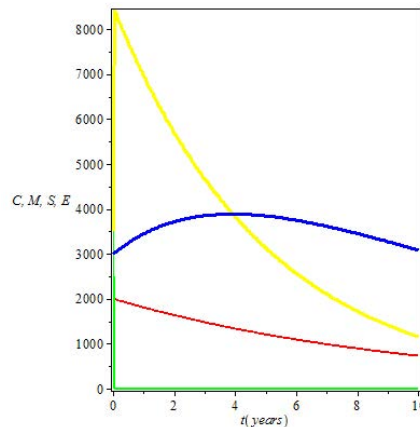


Figure 3. Dynamics of academic standard and failure rate when $R_s < 1$
 Note: derived from research.

Table 4. Stability of academic standards with adjustment in the failure rates in the memo

Course codes	π	ϵ	ϑ	τ	ϕ	η	μ	R_s	Remark
MTH 231	0.25	0.4	0.3	0.089	0.03	0.1	0.1	0.1628	Unstable
MTH 233	0.25	0.4	0.3	0.083	0.03	0.1	0.1	0.1671	Unstable
MTH 222	0.25	0.4	0.3	0.08	0.03	0.1	0.1	0.1693	Unstable
MTH 223	0.25	0.4	0.3	0.071	0.03	0.1	0.1	0.1758	Unstable
MTH 221	0.25	0.4	0.3	0.074	0.03	0.1	0.1	0.1737	Unstable
STA 222	0.25	0.4	0.3	0.086	0.03	0.1	0.1	0.1649	Unstable
STA 211	0.25	0.4	0.3	0.069	0.03	0.1	0.1	0.1773	Unstable

Note: derived from research



Figure 3 is generated by using parameters space for MTH 222 in Table 4, together with $C(t) = 2000$, $M(t) = 5000$, $S(t) = 3500$, $E(t) = 3000$ and $\alpha = 0.001$. From Figure 3, it is shown that there is no significant increase in the population of qualified graduates that are being produced over time compared to Figure 2. Figure 3 corresponds to the falling parts of Figure 2, and it is instigated by the compromise of academic standards. Based on the results of the analysis, the failure rates in the memo in Table 2 cannot be said to be too high, and the lecturers should not be coerced to adjust the scores in the interest of the society; rather, the students who failed should be supported through counseling to attain academic excellence.

Conclusion

In this paper, the trade-off between academic standards and failure rates in tertiary institutions in Nigeria has been theoretically investigated via a mathematical modeling method. A compartmental model has been formulated and the model has been proved valid using some ample mathematical theorems. The equilibria, as well as the threshold for acceptable academic performance, have been derived for the model. The stability of rising academic standard equilibrium has also been examined based on the threshold for acceptable academic performance. The theoretical results of the model have been validated by numerical simulations, and the results of the simulations showed that the increase in the supply of qualified graduates in Nigeria's labor markets is a function of uncompromising academic standards. Since a certificate is evidence of participating in a process, and tertiary institutions are set up to produce individuals that would be able to impact their environments and foster

all-round development, we, therefore, recommend that the failure rates, no matter their levels, should not be deemed unacceptable in Nigeria's tertiary institutions inasmuch as those who failed did not meet the set standards for the country to overcome its numerous challenges.

Throughout the work, both theoretical and numerical approaches have been employed to gain insight into prevailing educational phenomenon in Nigeria; and for simplicity, hypothetical data from a single department in one college on very few Mathematics and Statistics courses have been used to generalize for the whole country. It is hoped that future studies will take care of the limitations in the present analysis. Future studies will attempt to adopt estimated data from many colleges and focus more on courses apart from Mathematics and Statistics.

Conflict of Interest

The authors declare no competing interests.

Author contribution statement

Both authors declare that the final version of the paper was read and approved. The total percentage contribution for the conceptualization, preparation, validation, reviewing and editing of this article was as follows: A.A.A. 50 %, M.M. 25 % and M.A.A. 25 %.

Data availability statement

Data sharing is not applicable since no new data was created or analyzed in this study.



Preprint

A Preprint version of this paper was deposited in: <https://ir.unilag.edu.ng/handle/123456789/12524>

References

- Adegbite, P. I. (2019). Examination malpractice as a malady to the development of educational programs in Nigeria. *International Journal of Environmental Studies and Safety Research*, 4(3), 49-53.
- Adelowokan, O. A., Maku, O. E., Babasanya, A. O., & Adesoye, A. B. (2019). Unemployment, poverty and economic growth in Nigeria. *Journal of Economics and Management*, 35(1), 4-11.
- Adenuga, J. I., Ajide, K. B., Odeleye, A. T., & Ayoade, A. A. (2021). Abundant natural resources, ethnic diversity and inclusive growth in sub-Saharan Africa: a mathematical approach. *Application and Applied Mathematics*, 16(2), 1221-1247.
- Akunne, L. I., Chigbo-Obasi, T. U., & Iwogbe, E. C. (2021). Perceived strategies for curbing examination malpractice among secondary school students in Nigeria. *Asian Journal of Education and Social Studies*, 20(4), 8-17.
- Aminu, A. (2019). Characterizing graduate unemployment in Nigeria as education-job mismatch problem. *African J. of Economics Review*, 7(2), 113-130.
- Ayoade, A. A., Farayola, P. I., & Lamidi, T. O. (2019). Dynamics and stability analysis of party switching in politics of Nigeria: a mathematical approach. *Daffodil International University Journal of Science and Technology*, 14(1), 53-60.
- Ayoade, A. A., & Farayola, P. I. (2020a). Dynamics of examination malpractice among the key players in Nigeria. *Daffodil International University Journal of Science and Technology*, 15(2), 28-32.
- Ayoade A. A., Folaranmi R., & Latunde T. (2020b). Mathematical analysis of the implication of the proposed rise in the retirement age on the unemployment situation in Nigeria. *Athens Journal of Sciences*, 7(1), 29-42. <https://doi.org/10.30958/ajs.7-1-3>
- Ayoade, A. A., Odetunde, O., & Falodun B. (2020c). Modeling and analysis of the impact of vocational education on the unemployment rate in Nigeria. *Application and Applied Mathematics: An International Journal (AAM)*. 15(1), 550-564.
- Ayoade, A. A., & Farayola, P. I. (2021). A mathematical modelling of economic restoration through agricultural revitalisation in Nigeria. *Journal of Quality Measurement and Analysis*, 17(1), 79-91.
- Ayoade, A. A., & Agboola, S. O. (2022a). Mathematical analysis of the causes of examination malpractices in Nigeria: an epidemic modelling approach, *Journal of Science and Mathematics Letters*, 10(1), 44-54. <https://doi.org/10.37134/jsml.vol10.1.5.2022>
- Ayoade, A.A., & Ibrahim, M.O. (2022b). Analysis of transformation dynamics and mitigation of COVID-19 in Nigeria: an insight from a mathematical model. *The Aligarh Bulletin of Mathematics*, 41(1), 81-106.
- Ayoade, A. A. & Farayola, P. I. (2022c). A mathematical model to address out-of-school children menace for actualisation of sustainable development in Nigeria. *Journal of Science and Arts*, 22(3), 677-692. <https://doi.org/10.46939/J.Sci.Arts-22-3-a14>
- Ayoade, A. A., Nkuba, N. & Ibrahim, M. O. (2023a). An epidemic model for control and possible elimination of Lassa fever. *Tamkang Journal of Mathematics*, DOI: 10.5556/j.tkjm.55.2024.503
- Ayoade, A. A., Oyedepo, T., & Agunbiade, S. (2023b). Mathematical modeling of *Toxoplasma gondii* between the environment and cat population under vaccination and sanitation. *Journal of Fractional Calculus and Applications (JFCA)*. 14(1), 75-87.
- Adeyemo, A. A., & Ayoade, A. A. (2023). Mathematical modeling of the effect of vaccination on the dynamics of infectious diseases. *Nepal Journal of Mathematical Sciences (NJMS)*, 4(1), 1-10. <https://doi.org/10.3126/njmathsci.v4i1.53151>
- Favour, A. O., & Anya, O. A. (2020). Mathematical model for Lassa fever transmission and control. *Mathematics and Computer Science*, 5(6), 110-118.
- Federal Republic of Nigeria (2004). National policy on education, Revised edition, Lagos.
- Kawugana, A., & Wayopwa, A. K. (2017). Impact of examination malpractice on the quality of graduates in Nigeria. *International Journal of Education and Evaluation*, 3(6), 45-51.



- Khan, M.A., Atangana, A., & Alzahrani, E. (2020). The dynamics of COVID-19 with quarantine and isolation. *Advances in Difference Equations*, 2020(1), 1-22.
- Lakshmikantham, V., Leela, S., & Kaul, S. (1994). Comparison principle for impulsive differential equations with variable times and stability theory. *Nonlinear Analysis, Theory, Methods & Application*, 22(4), 499-503.
- Okey, A. S., & Ewa, A. M. (2019). Examination malpractice and corruption among students at Cross River State University of Technology, Calabar, Nigeria. *International Journal of Quantitative and Qualitative Research Method*, 7(2), 27-38.
- Osadebe, P. U., & Bini, M. F. (2018). Assessment of factors affecting examination malpractice. *European Journal of Educational Studies*, 4(1), 20-33.
- Razu, S. R., Akter, S., & Afrin, S. (2018). Factors affecting academic performance in tertiary education: a case study from Khulna University of Bangladesh. *Pabna University of Science and Technology Studies*, 3(1), 88-91.
- Sulayman, F., Abdullah, F. A., & Mohd, M. H. (2021). An SVEIRE model of tuberculosis to assess the effect of an imperfect vaccine and other exogenous factors. *Mathematics*, 9,327. <https://doi.org/10.3390/math9040327>
- Thompson, J. D., Ansoglenan, G., & Laar, S. (2020). Why do students engage in examination malpractice? The University for Development Studies experience. *Journal of Social Science Studies*, 7(1), 8-26.
- Utomi, J.M. (24 March, 2022). Unemployment and a nation's 40 per cent of hopelessness. The Guardian-Nigeria. <https://guardian.ng/opinion/unemployment-and-a-nations-40-per-cent-of-hopelessness/>
- Yusuf, F. A., Okanlawon, A. E., & Oladayo, T. R. (2020). Investigation into factors affecting students' academic performance in tertiary institutions as expressed by undergraduates. *Journal of Education in Black Sea Region*, 5(2), 62-75.



Mathematical Modeling and Threshold Analysis of Acceptable Failure Rate and Academic Standard (Abayomi Ayotunde Ayoade • Mojisola Manuel • Motunrayo Ajoke Adeosun) [Uniciencia](#) is protected by [Attribution-NonCommercial-NoDerivs 3.0 Unported \(CC BY-NC-ND 3.0\)](#)